

HOUSE OF THE RISING SUN

Intro: Arpeggio chords as below

Dm F G Bb
 There is a house in New Orleans
 Dm F A
 they call the Rising Sun and it's
 Dm F G Bb
 been the ruin of many a poor boy and
 Dm A Dm A
 God I know I'm one

Dm F G Bb
 My mother was a tailor
 Dm F A
 She sewed my new blue jeans
 Dm F G Bb
 My father was a gamblin' man
 Dm A Dm A
 Down in New Orleans

Solo over verse

Dm F G Bb
 Now the only thing a gambler needs
 Dm F A
 Is a suitcase and trunk
 Dm F G Bb
 And the only time he's satisfied
 Dm A Dm A
 Is when he's on a drunk

Dm F G Bb
 Oh mother tell your children
 Dm F A
 Not to do what I have done
 Dm F G Bb
 Spend your lives in sin and misery
 Dm A Dm A
 In the House of the Rising Sun

Dm F G Bb
 Well, I got one foot on the platform
 Dm F A
 The other foot on the train
 Dm F G Bb
 I'm goin' back to New Orleans
 Dm A Dm A
 To wear that ball and chain

Repeat first verse

Strum D DUD DDD

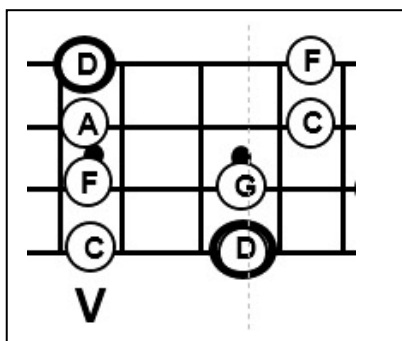
Intro	Dm	F	G	Bb
A	---0---	---0---	---2---	---1---
E	---1-1---	---1-1---	---3-3---	---1-1---
C	---2---2---	---0---0---	---2---2---	---2---2---
G	---2-----	---2-----	---0-----	---3-----

	Dm	A	Dm	A
A	---0---	---0---	---0---	---0---
E	---1-1---	---0-0---	---1-1---	---0-0---
C	---2---2---	---1---1---	---2---2---	---1---1---
G	---2-----	---2-----	---2-----	---2-----

UNKNOWN

First note=C

Solo - D Blues box @ V fret



Solo	
A	----- -5-5-5-----
E	----- -----8-5--5-
C	-----5-5-7---5- -----7---
G	---5-7-7-----7--- -----

A	---5-5-5----- -----
E	-----8----- -----
C	-----5-7---5- ---5-7-b7-7-5---
G	-----7--- -7-----5-

b=bend note

D blues scale

D F G G# A C D

Bend G to G# on string 3